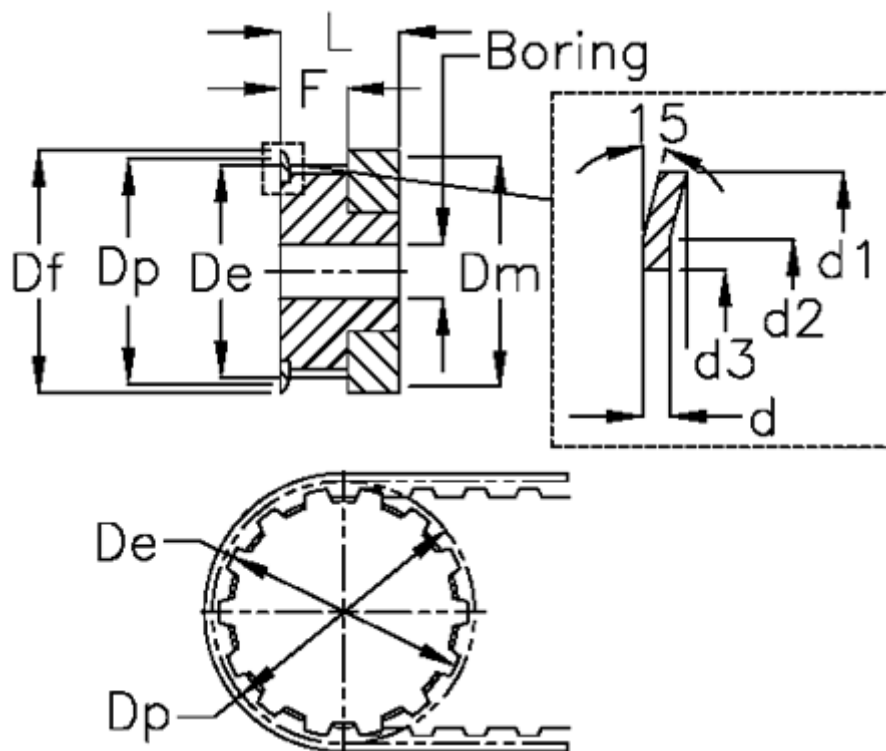


Article number: 60415016014

Description: Timing Belt Pulley 16 T 2,5 14/2

Measures



Belt width = - 6 mm	Dp	= 11.2
d = 0.5	F	= 9
d1 = 15	Flange type	= F02
d2 = 12	L	= 16
d3 = 8	Pre-drilled	= 4
De = 10.6	Tooth number	= 14
Df = 15	Type	= T2,5
Dm = 8	Weight	= 0.006